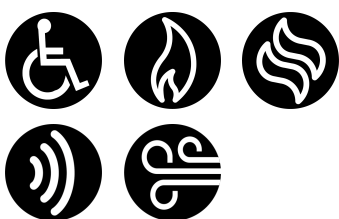
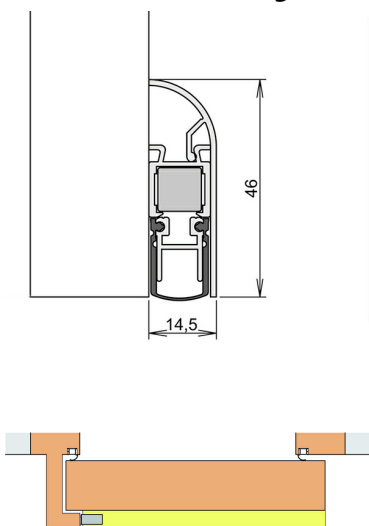


Schall-Ex Slide Applic A silber

Product image



Cross section drawing



Details

<i>Article number</i>	1-717
<i>Product description</i>	<ul style="list-style-type: none"> ↪ SCHALL-EX SLIDE APPLIC A ↪ For sliding doors running in front of the wall ↪ Aluminium ↪ Click-in cover profile ↪ Concealed screws ↪ Silver-coloured, anodised C-0 ↪ white, powder-coated RAL 9016 ↪ Dark bronze, anodised C-34
<i>Function</i>	sliding door
<i>Door leaf material</i>	Wood

Technical data

<i>Maximum length (mm)</i>	1605
<i>Minimum length (mm)</i>	235
<i>Standard lengths (mm)</i>	805 , 930 , 1055
<i>Reducibility</i>	125
<i>Actuation</i>	Single actuation
<i>Maximum travel (mm)</i>	11
<i>Surface finish</i>	silber elox (C-0)
<i>Maintenance free</i>	Yes

Installation

<i>Mounting type</i>	Screw on in front of
<i>Accessories</i>	art. no. 5129